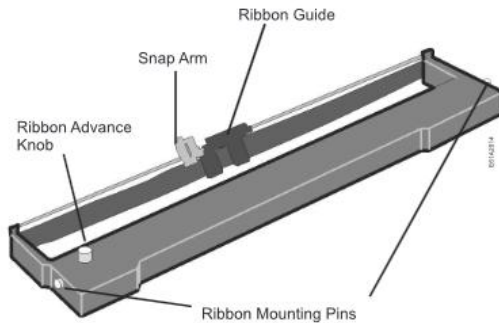


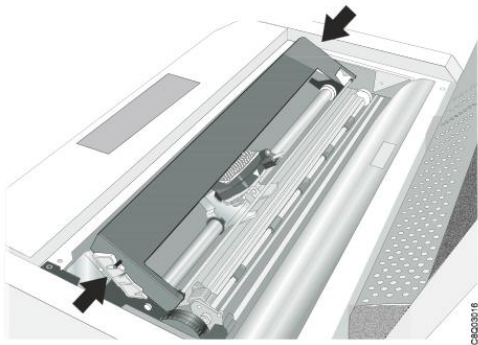
# Installing the ribbon cartridge

It is recommended that you use an approved ribbon cartridge. To install the ribbon cartridge, follow these steps:

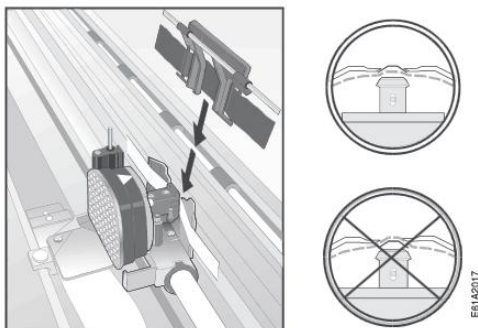
1. Remove the ribbon cartridge from the package. Locate the ribbon guide, snap arm, ribbon advance knob, and the ribbon mounting pins.
2. Turn the ribbon advance knob in the direction of the arrow to take up any slack in the ribbon. If the ribbon does not move, contact your place of ribbon purchase to replace the ribbon cartridge.



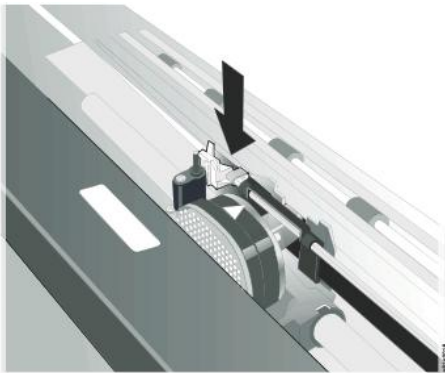
3. Open the upper printer cover using the handles on the front side of the cover.
4. Slide the print head to the center of the printer.
5. Align the cartridge pins with the locking grooves on the left and right cartridge supports.



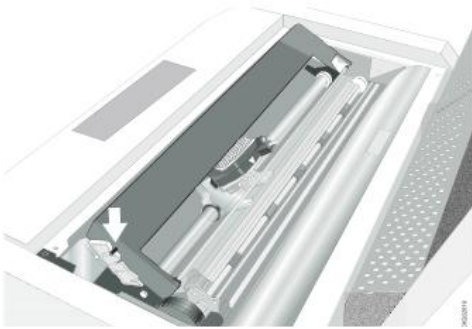
6. Position the ribbon guide over the print head, holding it perpendicular to the print head.



7. Turn the ribbon advance knob to take up any slack in the ribbon.
8. Position the snap arm with the small lever up onto the ribbon lift assembly. Push the snap arm down onto the ribbon lift assembly until it snaps into place.



9. Align the ribbon mounting pins on the left and right side of the ribbon cartridge with the slots in the cartridge supports. Snap the ribbon cartridge down into place.



10. Turn the ribbon advance knob again in the direction of the arrow to take up any slack in the ribbon, as you slide the print head back and forth to ensure that the ribbon guide runs freely along the ribbon.
11. If the ribbon is not running freely, or to ensure that you have installed the ribbon cartridge correctly, ensure that:
  - a. The left and right ribbon mounting pins are securely snapped into the cartridge supports.
  - b. There are no twists or folds in the ribbon.
  - c. The ribbon is not catching on the print head.
  - d. The ribbon moves when you turn the ribbon advance knob in the direction of the arrow. If the ribbon does not move, replace the ribbon cartridge. Contact your place of ribbon cartridge purchase if you believe that the ribbon is faulty.
12. Close the upper printer cover.